

Lamaphon VT Anti-Vibration Mounts

Lamaphon VT series anti-vibration Turret Mounts comprise a neoprene based 'turret mount' incorporating a pre-drilled steel base and a tapped steel insert in the head of the mount.

Lamaphon VT series anti-vibration Turret Mounts incorporates 5 basic models. Each model is available in a range of grades to suit various weight loadings and are colour coded for ease of identification.

Lamaphon VT series anti-vibration Turret Mounts are used in a wide variety of applications ranging from the isolation of machinery to their use in the construction of floating studio floors.

Acoustic Performance

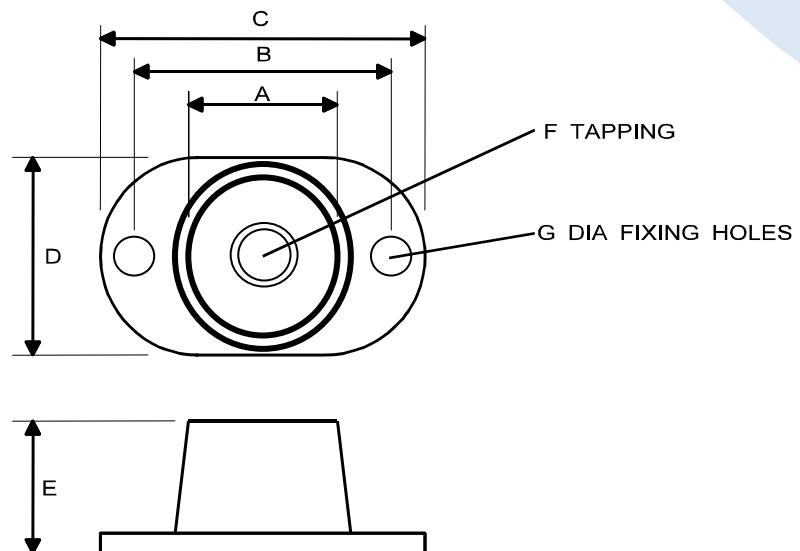
Lamaphon VT series anti-vibration Turret Mounts are designed to give high mechanical strength through an efficient rubber to metal bonding technique.

Isolation efficiency of 70% can be achieved at speeds as low as 630 rpm at maximum load. The mounts are available for loads from 2.5 Kg to 360 Kg which when coupled with good design provides consistent performance and long life.

On request Lamaphon VT Anti-Vibration Turret Mounts and pads can be manufactured from Natural Rubber, high temperature Silicon or other Elastomers

The table overleaf shows details of Grades and Colour codes available and their weight range and nominal deflections.

Technical Information



Mount Type	Dimensional Data (mm)						
	A	B	C	D	E	F	G
VT0	22	50	61	38	18	6	4
VT1	28	60	74	41	32	8	6
VT2	41	76	97	59	38	12	11
VT3	30	60	74	41	37	8	6
VT4	41	76	98	60	59	12	11

Lamaphon Material
VT Anti-Vibration Mounts

Type	AV Mount		Weight Range		Nominal Deflection
	Colour		From	To	
VT0	Blue		2.5 kg	5 kg	3mm
	Yellow		4 kg	8 kg	3mm
	Green		7 kg	14 kg	3mm
	White		9 kg	18 kg	3mm
VT1	Blue		9 kg	18kg	4mm
	Yellow		14 kg	28 kg	4mm
	Green		20 kg	40 kg	4mm
	White		27 kg	54 kg	4mm
	Red		36 kg	72 kg	4mm
VT2	Blue		18 kg	60 kg	5mm
	Green		54 kg	108 kg	5mm
	White		90 kg	180 kg	5mm
	Red		135 kg	270 kg	5mm
	Black		180 kg	360 kg	5mm
VT3	Blue		9 kg	18 kg	9mm
	Yellow		14 kg	28 kg	9mm
	Green		20 kg	40 kg	9mm
	White		27 kg	54 kg	9mm
	Red		36 kg	72 kg	9mm
VT4	Blue		18 kg	60 kg	10mm
	Green		54 kg	108 kg	10mm
	White		90 kg	180 kg	10mm
	Red		135 kg	270 kg	10mm
	Black		180 kg	360 kg	10mm

IMPORTANT: Directions for use are given for guidance only and are not intended to form part of any contract. They should be varied or adapted to suit your particular materials or conditions of use. Goods supplied by the company are made to approved standards from the highest quality raw materials but no warranty or guarantee is given as to their suitability for any particular purpose or application, and no liability is accepted for any loss or damage arising directly or indirectly from the use of the Company's products irrespective of any information given to us as to intended use of such products. It is therefore recommended that prospective users should test a sample of this product under their own conditions to satisfy themselves that the product is suitable for the purpose intended.